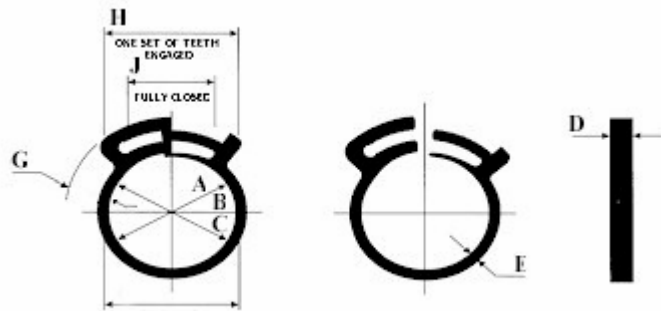


## Clip Measurements in mms

1

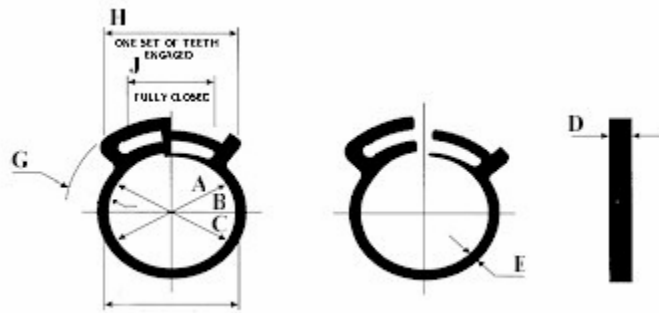


Dimensions in mms  
Weight in gms

Clamp Size	A Min	B Max	C 3 teeth Engaged	D Band width	E Band Thickness	G Head Height	H Max Head Width	J Min Head Width	Weight
Ident	mm	mm	mm	mm	mm	mm	mm	mm	Gms'
A	5.6	6.8	6.5	4.2	1.4	8.3	17.5	12.4	0.53
AA	6.5	8.1	7.9	4.5	1.6	9.9	20.9	14.8	0.82
B	7.9	9.6	9.2	4.4	1.6	9.3	20.7	14.7	0.90
BB	9.2	10.8	10.3	4.5	1.7	10.9	22.2	17.0	1.11
C	10.2	12.3	11.8	5.8	1.7	12.2	27.9	20.1	1.73
CC	11.1	13.4	12.9	6.1	1.7	12.3	28.7	20.0	1.94
D	12.0	14.5	13.8	6.1	1.7	12.9	28.9	19.0	1.95
E	13.1	15.7	15.1	7.2	2.0	13.6	32.7	21.0	3.26
F	15.0	17.8	17.1	7.1	2.0	12.9	34.8	23.9	3.18
G	16.9	19.9	19.1	6.9	2.1	12.5	32.4	21.3	2.00
H	18.1	21.4	20.6	7.1	2.1	12.7	35.7	23.3	3.23
J	20.3	23.7	23.0	6.4	2.1	14.2	39.0	25.8	1.08
K	22.2	25.8	24.9	7.0	2.0	13.0	37.0	26.0	3.61
L	24.5	28.4	27.6	7.1	2.1	12.5	37.3	25.7	3.43
M	26.5	30.4	29.5	7.4	2.2	13.4	40.0	27.0	4.80
N	28.8	33.0	32.2	9.0	2.0	13.4	42.0	29.0	5.60
P	32.0	35.6	34.8	9.1	1.9	13.8	40.0	27.5	6.15
Q	34.3	38.7	37.9	8.9	2.1	13.5	42.0	28.8	7.05
R	38.0	42	41	9.2	2.1	14.1	44	29.7	6.48
S	40.1	45.1	44.2	9.0	2.2	13.4	42.2	29.7	6.60
T	43.2	47.0	46.2	8.9	2.1	12.8	42.5	28.9	6.81
U	46.0	52.0	50.5	9.0	2.1	14.4	46.0	31.0	7.31
V	48.5	54.8	53.8	9.0	2.1	14.4	48.0	33.0	8.17
W	53.0	58.0	56.5	9.0	2.1	15.0	49.0	33.5	7.61
X	55.0	61.0	60.5	9.4	2.4	15.5	54.0	35.7	9.95
59	59.0	65.7	64.7	9.3	2.5	17.0	58.6	38.9	11.40
64	63.0	68.4	67.4	9.4	2.0	15.6	45.8	31.7	9.94
65	65.0	70.0	69.0	9.5	2.6	16.0	50.0	34.7	10.90
66	65.8	72.1	71.7	9.2	2.6	15.7	57.3	37.8	10.90
70	70.0	76.4	75.4	9.1	2.6	15.5	58.3	39.3	11.50
75	74.7	81.5	80.5	9.1	2.6	16.5	61.3	40.3	12.20
78	77.7	82.2	81.2	9.0	3.2	16.7	47.9	33.5	10.80
80	79.8	86.0	85.0	9.0	2.6	17.7	55.2	37.0	12.90
85	85.1	91.6	90.6	8.9	2.6	17.2	55.2	37.1	11.90
96	97.7	104.0	102.1	8.5	2.6	17.4	66.0	42.9	14.20
105	105.3	113.3	111.8	8.9	2.6	16.2	66.2	42.7	15.00
163	163.0	171.0	169.0	9.5	2.5	16.0	79.0	50.4	19.00

## Clip Measurements in inches

2



Dimensions in  
Inches  
Weight in  
ounces

Clamp Size	A Min. Dia.	B Max. Dia.	C 3 Teeth Engage d	D Band Width	E Band Thickness	F Head Style	G Head Height	H Max Head Width	J Min Head Width	Mass In	Sets Of Teeth	Clamp Size
Ident.	Inches	Inches	Inches	Inches	Inches		Inches	Inches	Inches	'Oz'		Ident.
A	0.220	0.268	0.256	0.165	0.055	1	0.327	0.689	0.488	0.01870	8	A
AA	0.256	0.319	0.311	0.177	0.063	1	0.390	0.823	0.583	0.02892	8	AA
B	0.311	0.378	0.362	0.173	0.063	1	0.366	0.815	0.579	0.03175	8	B
BB	0.362	0.425	0.406	0.177	0.067	1	0.429	0.874	0.669	0.03915	9	BB
C	0.402	0.484	0.465	0.228	0.067	3	0.480	1.098	0.791	0.06102	9	C
CC	0.437	0.528	0.508	0.240	0.067	1	0.484	1.130	0.787	0.06843	9	CC
D	0.472	0.571	0.543	0.240	0.067	3	0.508	1.138	0.748	0.06878	9	D
E	0.516	0.618	0.594	0.283	0.079	1	0.535	1.287	0.827	0.11499	11	E
F	0.591	0.701	0.673	0.280	0.079	2	0.508	1.370	0.941	0.11217	11	F
G	0.665	0.783	0.752	0.272	0.083	1	0.492	1.276	0.839	0.07055	11	G
H	0.713	0.843	0.811	0.280	0.083	1	0.500	1.406	0.917	0.11394	11	H
J	0.799	0.933	0.906	0.252	0.083	1	0.559	1.535	1.016	0.03810	11	J
K	0.874	1.016	0.980	0.276	0.079	1	0.512	1.457	1.024	0.12734	11	K
L	0.965	1.118	1.087	0.280	0.083	1	0.492	1.469	1.012	0.12099	11	L
M	1.043	1.197	1.161	0.291	0.087	3	0.528	1.575	1.063	0.16932	11	M
N	1.134	1.299	1.268	0.354	0.079	3	0.528	1.654	1.142	0.19753	11	N
P	1.260	1.402	1.370	0.358	0.075	3	0.543	1.575	1.083	0.21694	11	P
Q	1.350	1.524	1.492	0.350	0.083	3	0.531	1.654	1.134	0.24868	12	Q
R	1.496	1.654	1.614	0.362	0.083	3	0.555	1.732	1.169	0.22858	12	R
S	1.579	1.776	1.740	0.354	0.087	3	0.528	1.661	1.169	0.23281	12	S
T	1.701	1.850	1.819	0.350	0.083	3	0.504	1.673	1.138	0.24022	12	T
U	1.811	2.047	1.988	0.354	0.083	2	0.567	1.811	1.220	0.25785	12	U
V	1.909	2.157	2.118	0.354	0.083	2	0.567	1.890	1.299	0.28819	12	V
W	2.087	2.283	2.224	0.354	0.083	2	0.591	1.929	1.319	0.26844	12	W
X	2.165	2.402	2.382	0.370	0.094	2	0.610	2.126	1.406	0.35098	14	X
59	2.323	2.587	2.547	0.366	0.098	2	0.669	2.307	1.531	0.40212	14	59
64	2.480	2.693	2.654	0.370	0.079	2	0.614	1.803	1.248	0.35062	10	64
65	2.559	2.756	2.717	0.374	0.102	2	0.630	1.969	1.366	0.38449	11	65
66	2.591	2.839	2.823	0.362	0.102	2	0.618	2.256	1.488	0.38449	14	66
70	2.756	3.008	2.969	0.358	0.102	2	0.610	2.295	1.547	0.40565	14	70
75	2.941	3.209	3.169	0.358	0.102	1	0.650	2.413	1.587	0.43034	14	75
78	3.059	3.236	3.197	0.354	0.126	1	0.657	1.886	1.319	0.38096	10	78
80	3.142	3.386	3.346	0.354	0.102	1	0.697	2.173	1.457	0.45503	12	80
85	3.350	3.606	3.567	0.350	0.102	1	0.677	2.173	1.461	0.41976	12	85
96	3.846	4.094	4.020	0.335	0.102	2	0.685	2.598	1.689	0.50089	15	96
105	4.146	4.461	4.402	0.350	0.102	2	0.638	2.606	1.681	0.52911	15	105
163	6.417	6.732	6.654	0.374	0.098	1	0.630	3.110	1.984	0.67021	20	163